

### TT-8200 SMARTBOX<sup>®</sup> Tabletop Chamber

The TT-8200 Tabletop Chamber automates a three-stage euthanasia cycle at the push of a button: charging, dwell time, and exhaust. At the start of a cycle, the chamber lid automatically locks and will not unlock until CO<sub>2</sub> evacuation is complete. The clear acrylic construction provides full visibility and a top loading lid promotes easy cage access. The airtight, gasket-sealed lid prevents gas leakage during operation. The manifold design ensures even gas distribution. The system accommodates the full range of rodent cages from all manufacturers.

- **Compliant with AVMA Guidelines**
- Accommodates up to 10 shoebox mouse cages or 2 standard rat cages
- Automation virtually eliminates operator error
- Lid automatically locks during operation
- After starting chamber, the technician is free to do other work
- Double throw switch allows for two different treatment times
- Programs can be customized based on facility requirements
- Operates at a fixed flow rate based on the external CO<sub>2</sub> source



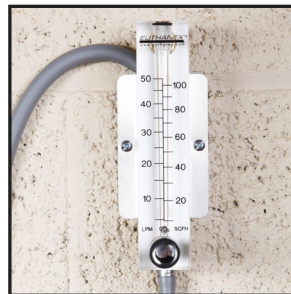
Inside Dimensions: 27.5"L x 19"W x 13.75"H

#### Required Accessories (choose one):



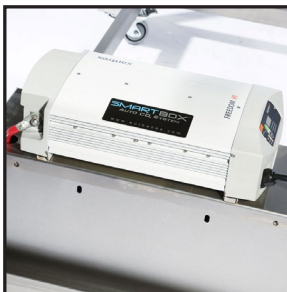
**EA-285**  
(use with cylinders)

or



**1050-A1-BR**  
(use with piped-in gas)

#### Accessories

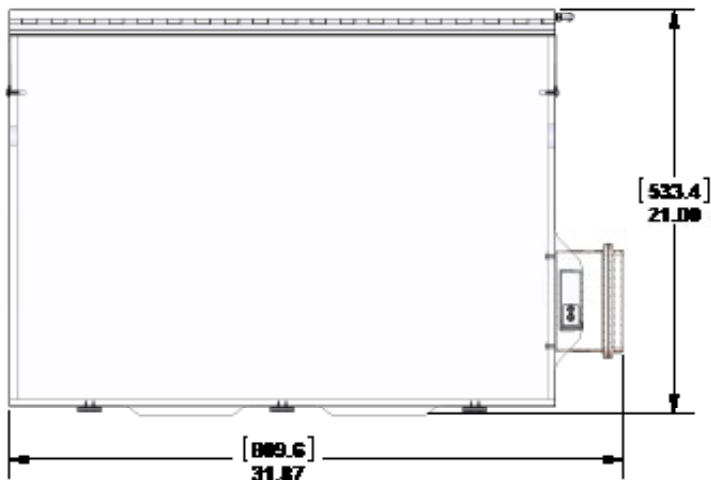


**EA-1040 Mobile**  
**Battery Back-Up**

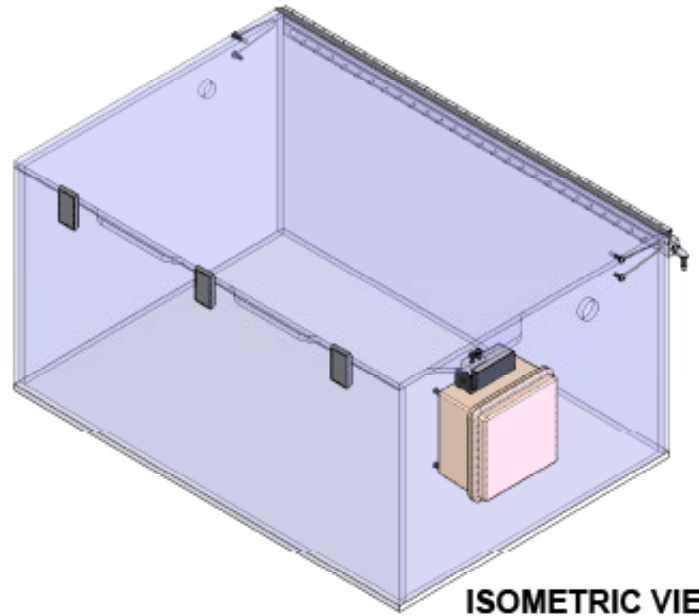
*TT-8200 includes:*  
**SMARTBOX<sup>®</sup> Side Control Box, Tabletop Chamber,**  
**Exhaust Blower, 8' of 4" Exhaust**  
**Tubing, two 4" Hose Clamps**

**Exhaust Blower included**

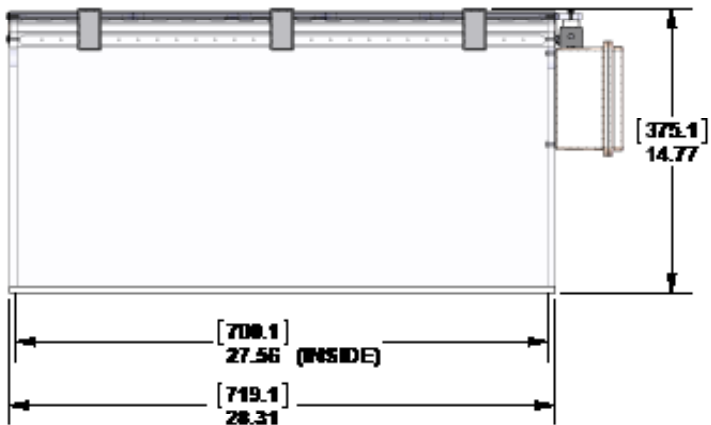




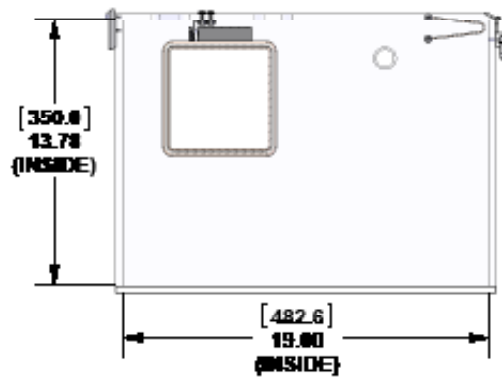
**TOP VIEW**



**ISOMETRIC VIEW**



**FRONT VIEW**



**SIDE VIEW**

METRIC DIMENSIONS IN [ ] ARE IN MM.

Inside Chamber Dimensions: 27.5"L x 19"W x 13.75"H

**REQUIREMENTS**

Electric	110 VAC 15 AMP
Flow Rate	35 LPM or 75 CFH
4" Duct	20 CFM