

M1-TSFM-1 SMARTBOX® Chamber System

The M1-TSFM-1 is the latest addition to our SMARTBOX family. The innovative 7" touch screen allows administrators to program unlimited species types and users. The administrators now have the power to add secondary CO₂ charges and dwell periods for any species that may require longer exposure. Individual users can be assigned independent passwords, and the administrator can grant access to specific species types. This feature is appealing when the entire facility has access to the SMARTBOX system. The new controller also includes WiFi for simple remote access. Optional bluetooth pressure transducer module for monitoring tank pressure available.



SMARTBOX®

At start of cycle, doors automatically lock and will not unlock until CO₂ evacuation is complete. The clear polycarbonate doors provide visibility while the front-loading, swing-down design offers easy cage access. Airtight, gasket-sealed doors prevent gas leakage during operation. The manifold design ensures even gas distribution. The system accommodates the full range of rodent cages from all manufacturers.

Already have a SMARTBOX system? The new touch screen controller can easily retro-fit to your existing system. Please call us for more details.

Compliant with AVMA Guidelines

- Accommodates up to 20 shoebox mouse cages or 4 standard rat cages
- Independent level operation increases efficiency
- Touch screen controller facilitates easy operation and includes training videos
- Automation virtually eliminates operator error and conserves CO₂ consumption
- After starting system, technician is free to do other work
- Programs can be customized based on facility requirements
- Password-protected presets ensure only authorized personnel can make program changes
- Input unlimited species and users
- Limit user access to designated species
- Electronically monitored safety system prevents operation when chamber doors are not properly closed
- Doors automatically lock during operation and unlock after evacuation
- Gas is fully evacuated if system shuts down before cycle completion
- Multiple languages



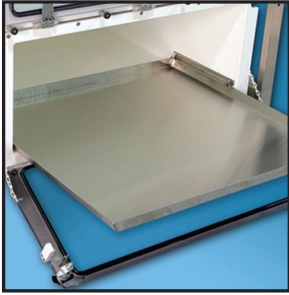
M1-TSFM-1 includes:

SMARTBOX Touch Screen Control Box, M1 Chamber, Exhaust Blower, 8 feet of 4" Exhaust Tubing and Thimble.

Accommodates up to 20 shoebox mouse cages or 4 standard rat cages.

Use the optional EA-550 Heated Regulator for gas control.

Optional Accessories



**EA-1315 Shelf
Divider Panels**

Enable stacking of cages without wire bar lids in the M1 chamber.



**EA-5500 Stainless
Steel Sliding Shelf**

Allows for convenient cage loading and unloading of M1 Chamber.



**EA-550 Heated
PSI Regulator**

0 - 50 psi Output
Connects directly to the CO₂ cylinder. Incorporated electric heater keeps unit from freezing during operation.



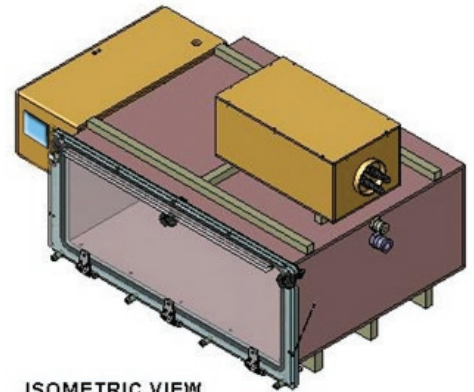
**EA-255 Inline
Regulator**

0 - 40 PSI Output
Inline high flow regulator for house gas or when gas cylinders are not present in room.

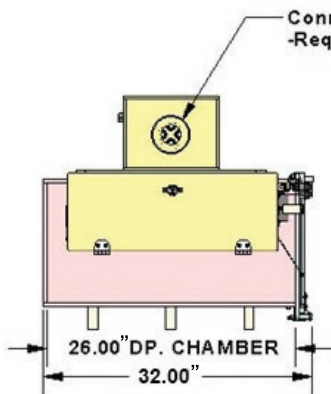


**EZ-1336-C
Mobile Cart**

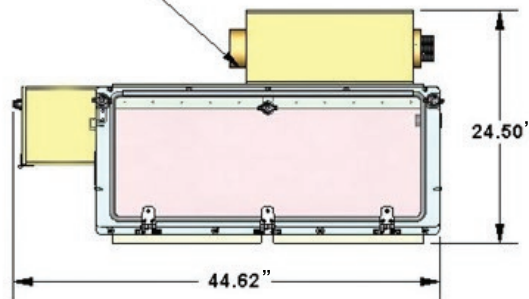
Height adjustable stainless steel cart for M1 Systems. Can accommodate one to two M1 chambers.
Dimensions:
49" L x 33.5" W x 43" H



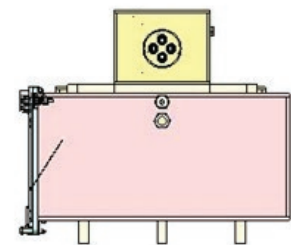
ISOMETRIC VIEW



LEFT SIDE VIEW



FRONT VIEW



RIGHT SIDE VIEW

INSIDE CHAMBER DIMENSIONS

32.0" W X 30.5" D X 12.5" H

Requirements:

Electric	120V	10amp
4" Hose Exhaust	35cfm	
CO ₂ Supply	30psi	60LPM