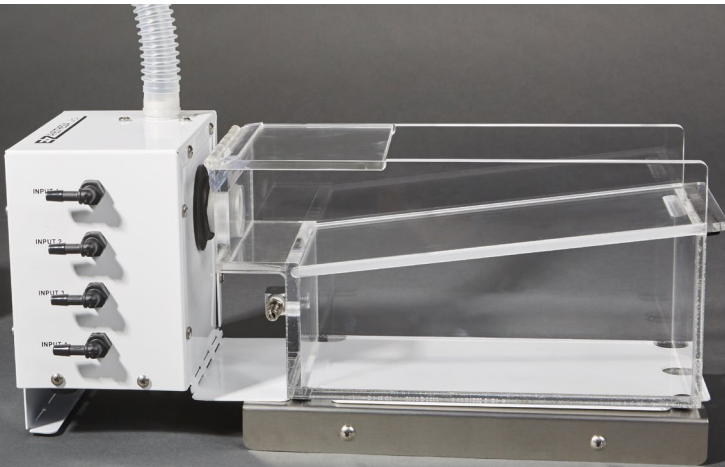




EX-IC Exhaust Cube

The EX-IC features an internal blower that captures waste gas from our vented chamber and up to four breathing devices. Calibrated specifically for small animal anesthesia applications, the EX-IC will safely capture waste gas without pulling fresh gas away from the animal. The device has a 22mm exhaust port that can be used with a charcoal filter or routed to a fume hood. Designed for use with the EZ-170 Vented Chamber.



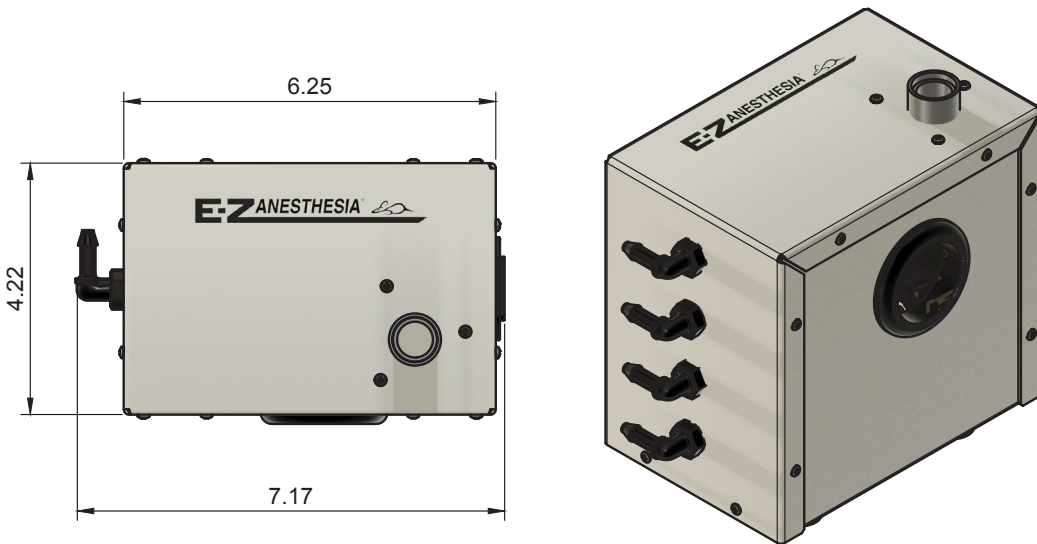
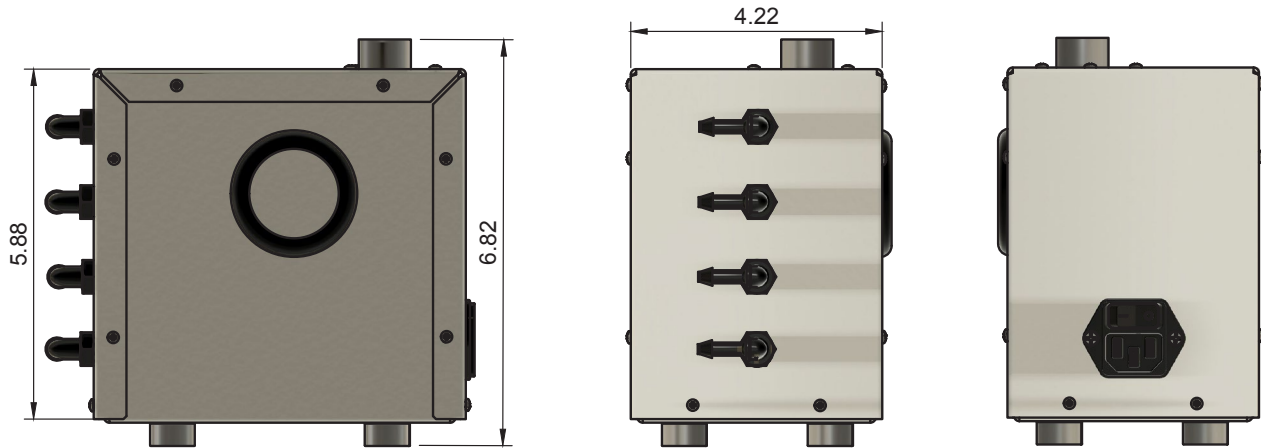
HB-163 Chamber Warmer

Add heat to your EX-IC setup. The HB-163 chamber warmer ranges from 85 to 104 degrees Fahrenheit. For use with the EZ-HEAT Surgical Bed Warming System.



EZ-170 Vented Chamber

The EZ-170 vented chamber is designed to be used with the EX-IC Exhaust cube. This chamber is designed to control waste gas without a "chamber flush". As the chamber is opened, the exhaust cube will capture any waste gas that escapes. The chamber is constructed out of 3/8" acrylic and includes a simple flip top for easy placement and removal of larger patients.

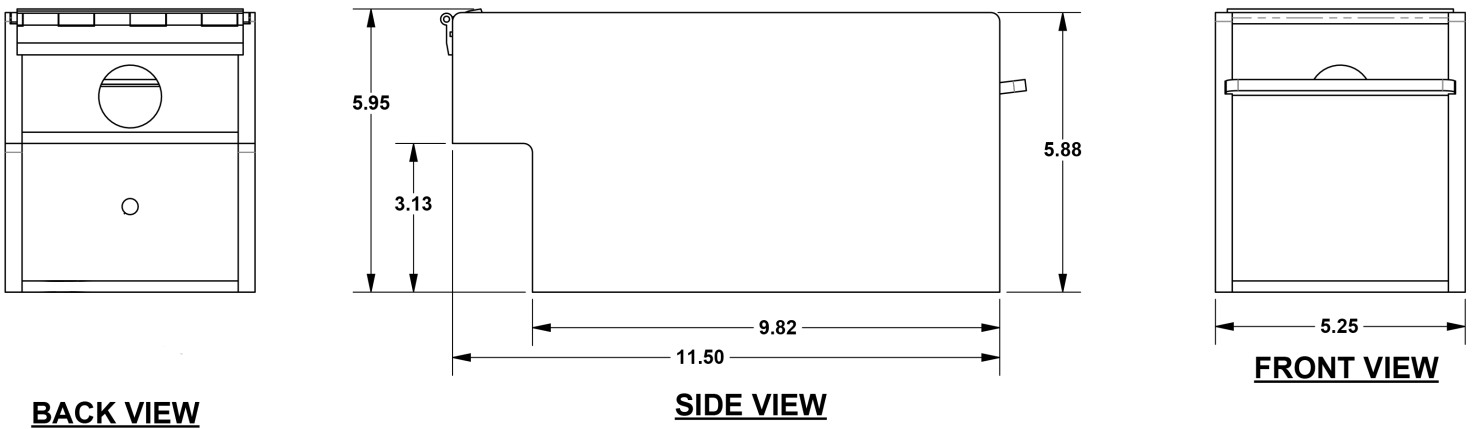


EX-IC Exhaust Cube

Voltage - 110 VAC

Exhaust Flow - 4.5 CFM

EZ-170 Vented Chamber

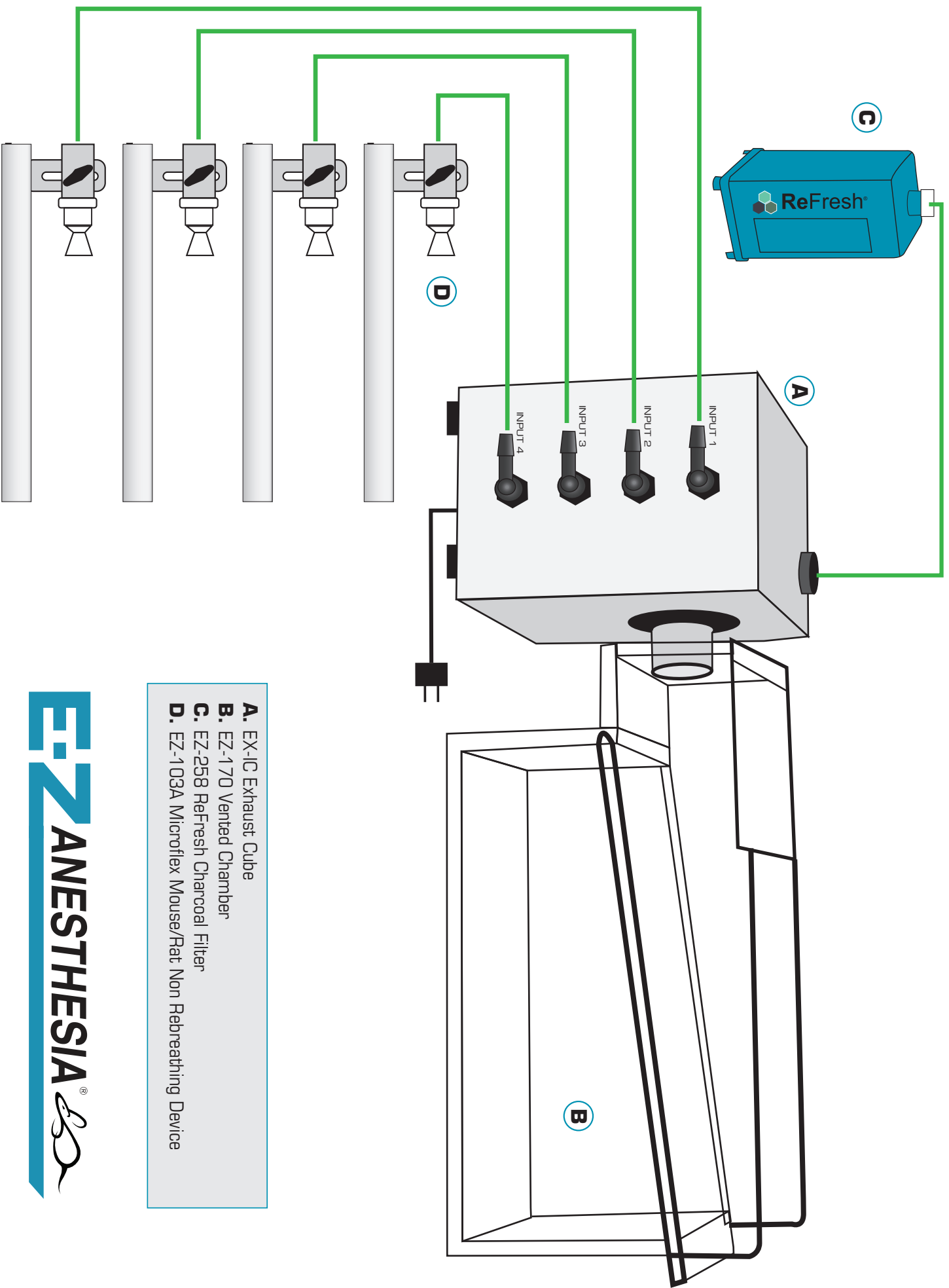


BACK VIEW

SIDE VIEW

FRONT VIEW

EX-1C Exhaust Cube



- A.** EX-1C Exhaust Cube
- B.** EZ-170 Vented Chamber
- C.** EZ-258 ReFresh Charcoal Filter
- D.** EZ-103A Microflex Mouse/Rat Non Rebreathing Device